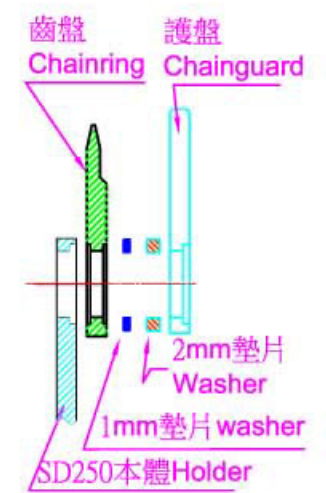
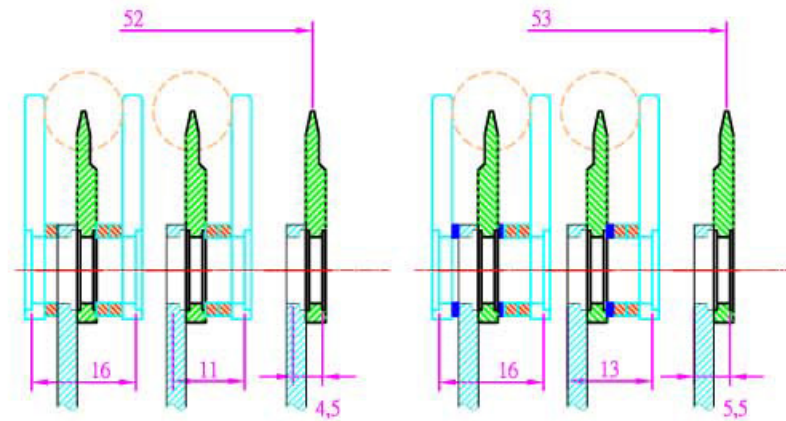
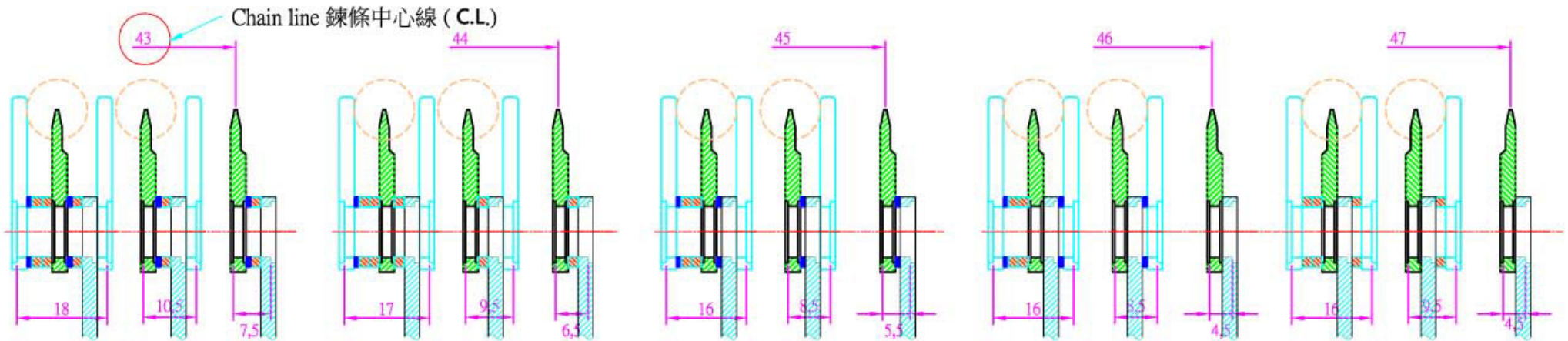


CHAIN LINE CHART (for SD250)



Remark:

Over 34T: Chain line adjustable as this chart.

Under 27T: Chain line as below:

27T: CL=44.4mm

22T: CL=50mm

19T: CL=50mm

PS: C.L.短至42mm或以下(例如37mm), 請洽詢齒盤之組裝方式。
If C.L. shorter under 42mm (ex, 37mm), pls contact us to assemble the chain ring.